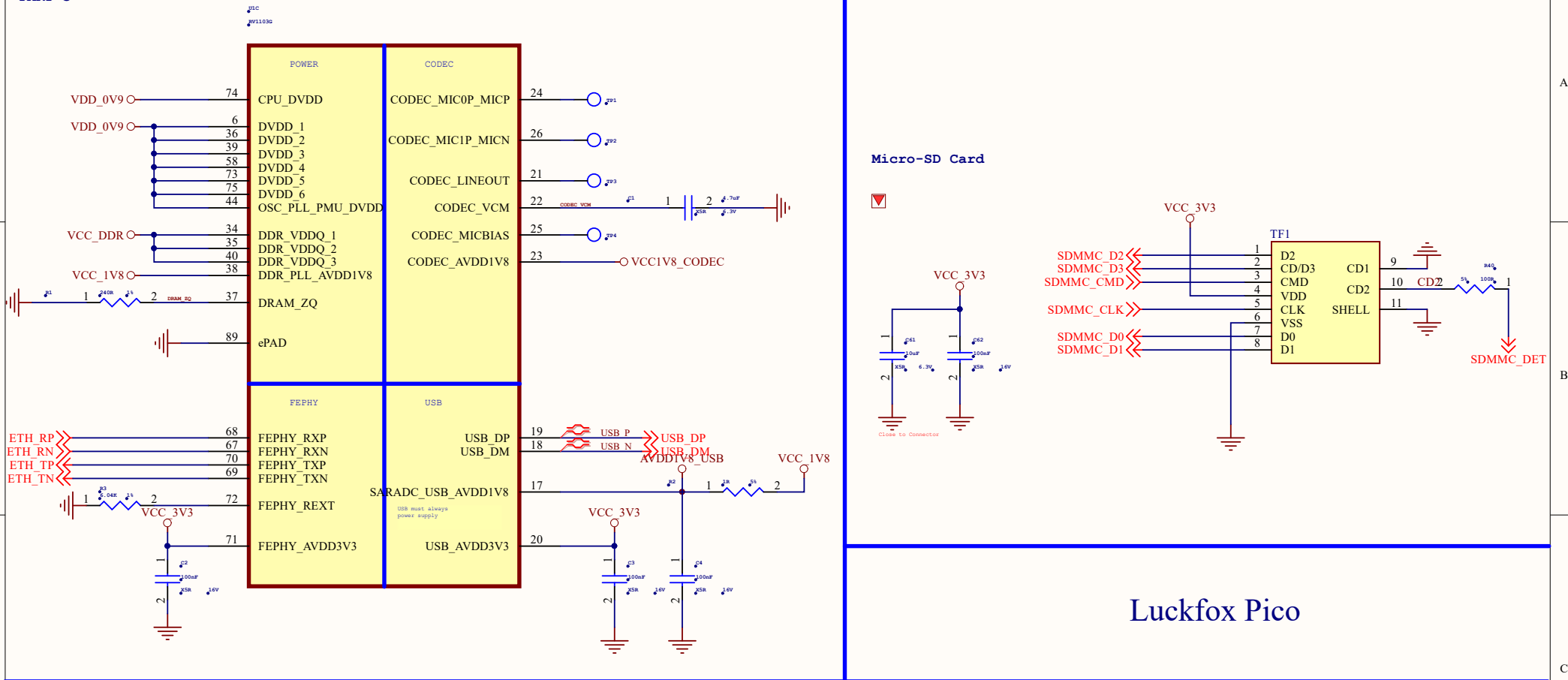
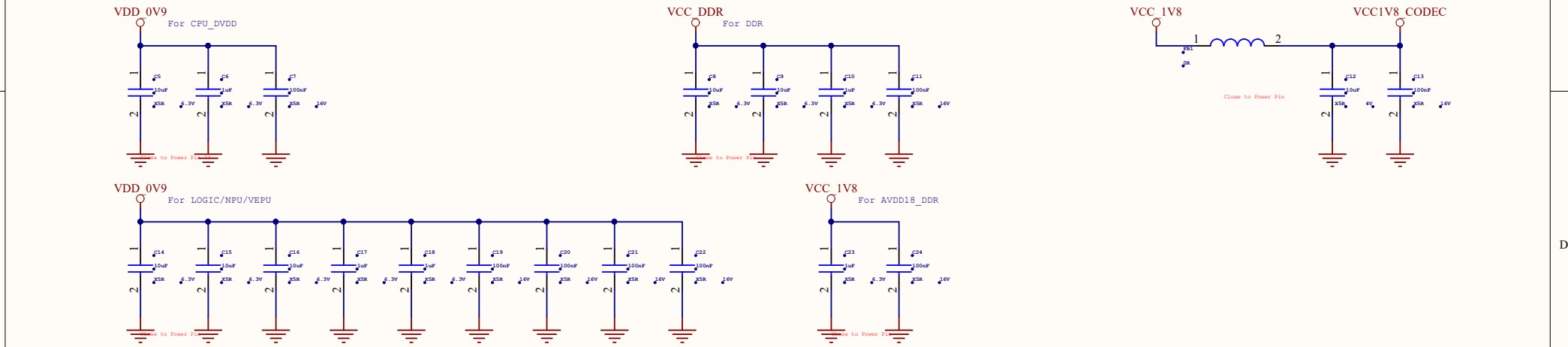


PART C

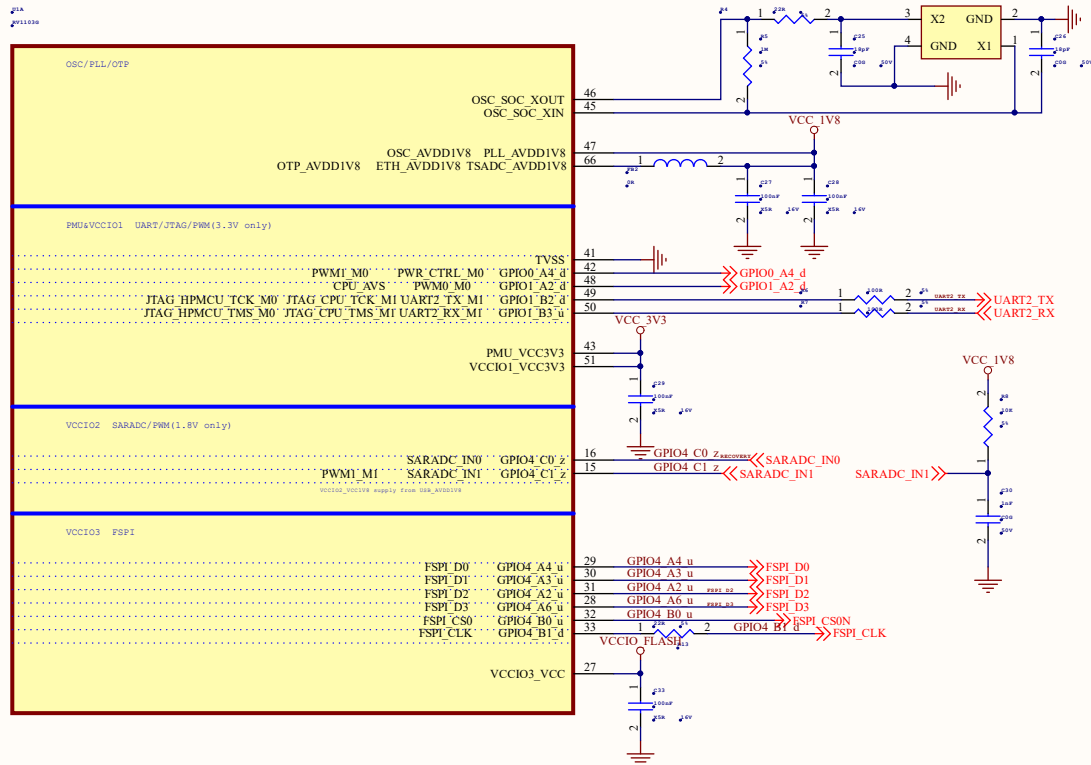


Luckfox Pico

POWER

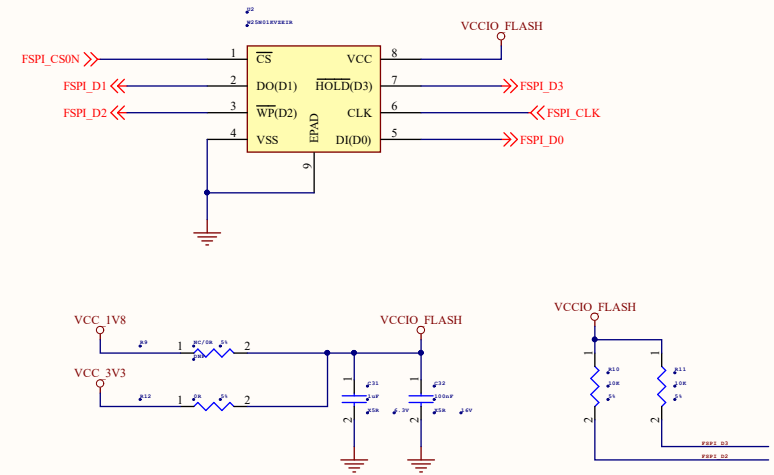


PART A

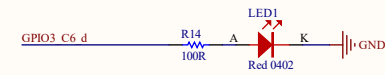


SPI Flash

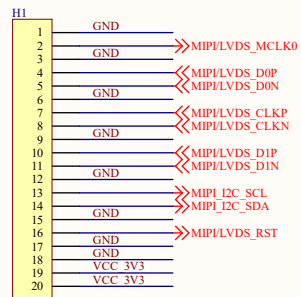
NOTE:  
Refer to the latest AVL for parts selection.



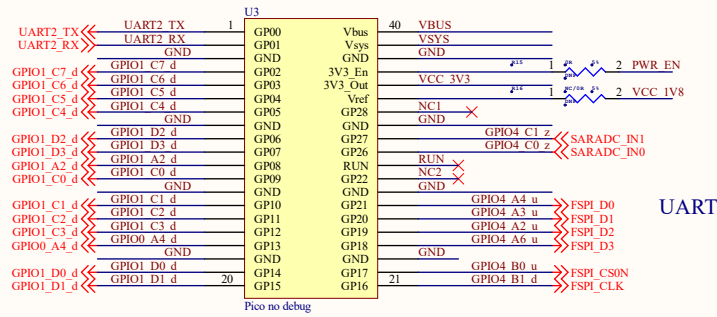
LED



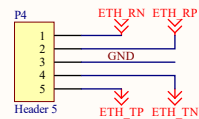
CAM



Pin Out

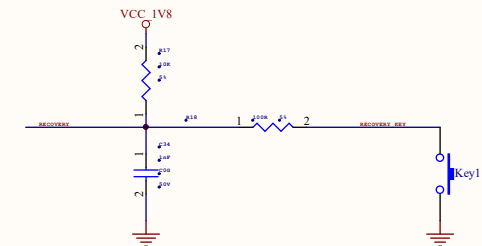


UART



RECOVERY Key

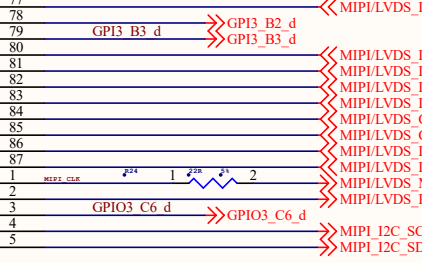
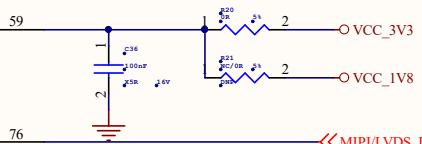
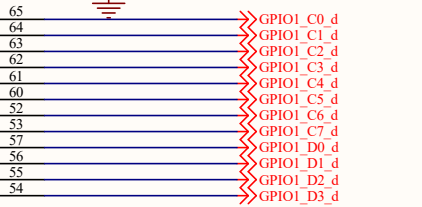
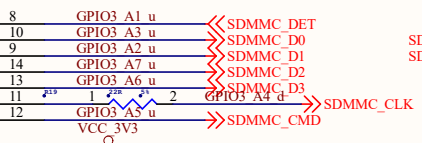
Note:  
SARADC\_IN0 must always be pulled-up.



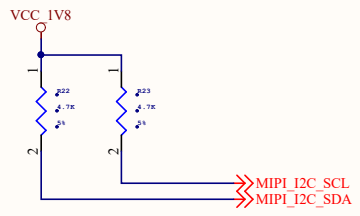
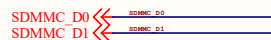
PART B

g18  
g11036

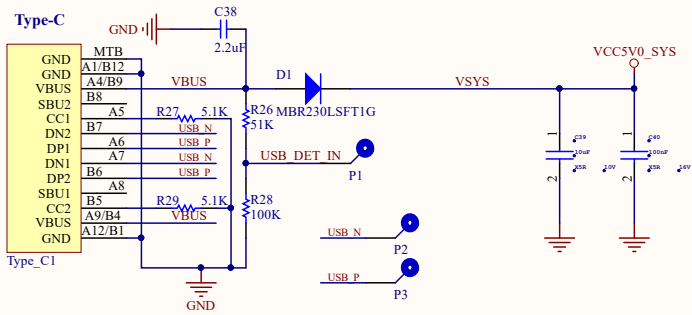
VCCIO4 SDMMC/UART/JTAG/PWM/I2C (3.3V only)				
SDMMC_DET	GPIO3_A1 u			
SDMMC_D0	GPIO3_A3 u			
SDMMC_D1	GPIO3_A2 u			
SDMMC_D2	GPIO3_A7 u			
SDMMC_D3	GPIO3_A6 u			
SDMMC_CLK	GPIO3_A4 d			
SDMMC_CMD	GPIO3_A5 u			
VCCIO4_VCC3V3				
VCCIO6 PWM/UART/I2C/SDIO/SPI/AUD_DSM				
SDIO_D1_M1	SPI0_CS0_M0	PWM2_M2	GPIO1_C0 d	
SDIO_D0_M1	SPI0_CLK_M0	PWM4_M2	GPIO1_C1 d	
I2C4_SCL_M1	SDIO_CLK_M1	SPI0_MOSI_M0	PWM5_M2	GPIO1_C2 d
I2C4_SDA_M1	SDIO_CMD_M1	SPI0_MISO_M0	PWM6_M2	GPIO1_C3 d
SDIO_D3_M1	UART4_RX_M1	PWM8_M1	GPIO1_C4 d	
SDIO_D2_M1	UART4_TX_M1	PWM9_M1	GPIO1_C5 d	
UART4_RTS_M1	PWM10_M1	GPIO1_C6 d		
UART4_CTS_M1	PWM11_IR_M1	GPIO1_C7 d		
UART3_TX_M1	UART5_RTS_M1	PWM3_IR_M2	GPIO1_D0 d	
UART3_RX_M1	UART5_CTS_M1	PWM0_M2	GPIO1_D1 d	
SPI0_CS1_M0	I2C3_SDA_M1	AUD_DSM_P	GPIO1_D2 d	
I2C3_SCL_M1	AUD_DSM_N	UART5_TX_M1	PWM11_IR_M2	GPIO1_D3 d
VCCIO6_VCC				
VCCIO7 MIPI_CSI/LVDS_RX/UART/I2C (1.8V only, some for input only)				
LVDS_RX_D3N	MIPI_CSI_RX_D3N	GPIO3_B0 d		
LVDS_RX_D3P	MIPI_CSI_RX_D3P	GPIO3_B1 d		
LVDS_RX_CLK1N	MIPI_CSI_RX_CLK1P	GPIO3_B2 d		
LVDS_RX_CLK1P	MIPI_CSI_RX_CLK1P	GPIO3_B3 d		
LVDS_RX_D2N	MIPI_CSI_RX_D2N	GPIO3_B4 d		
LVDS_RX_D2P	MIPI_CSI_RX_D2P	GPIO3_B5 d		
LVDS_RX_D1N	MIPI_CSI_RX_D1P	GPIO3_B6 d		
LVDS_RX_D1P	MIPI_CSI_RX_D1P	GPIO3_B7 d		
LVDS_RX_CLK0N	MIPI_CSI_RX_CLK0P	GPIO3_C0 d		
LVDS_RX_CLK0P	MIPI_CSI_RX_CLK0P	GPIO3_C1 d		
LVDS_RX_D0N	MIPI_CSI_RX_D0P	GPIO3_C2 d		
LVDS_RX_D0P	MIPI_CSI_RX_D0P	GPIO3_C3 d		
MIPI_CLK0_OUT	GPIO3_C4 d			
GPIO3_C5 d				
PWM7_IR_M2	MIPI_CLK1_OUT	GPIO3_C6 d		
I2C4_SCL_M2	UART5_TX_M2	GPIO3_C7 d		
I2C4_SDA_M2	UART5_RX_M2	GPIO3_D0 d		
MIPI_AVDD1V8 VCCIO7_VCC1V8				



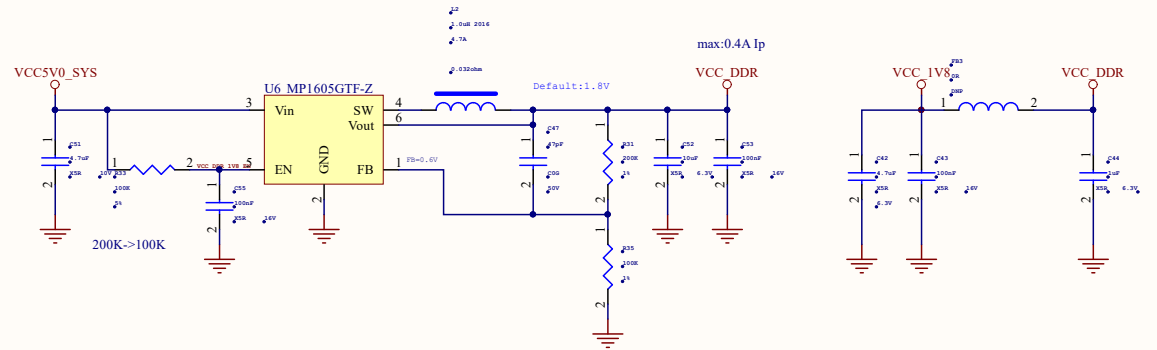
UART



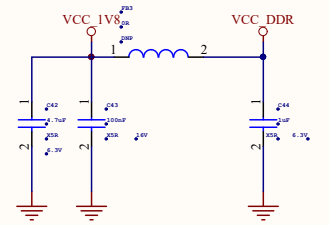
USB POWER IN



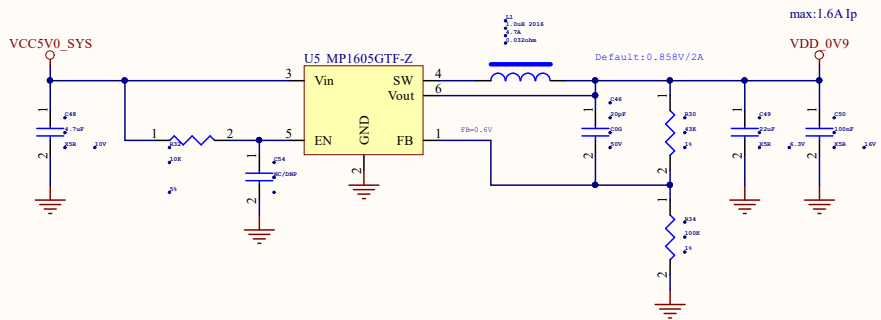
VCC5V0\_SYS--->VCC\_DDR  
Setp 2



VCC\_DDR--->VCC\_1V8  
Setp 2



VCC5V0\_SYS--->VDD\_0V9  
Setp 1



VCC5V0\_SYS--->VCC\_3V3  
Setp 3

